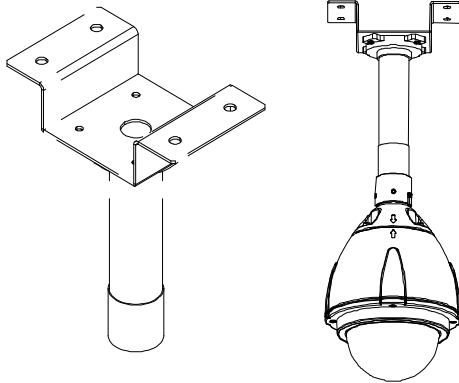




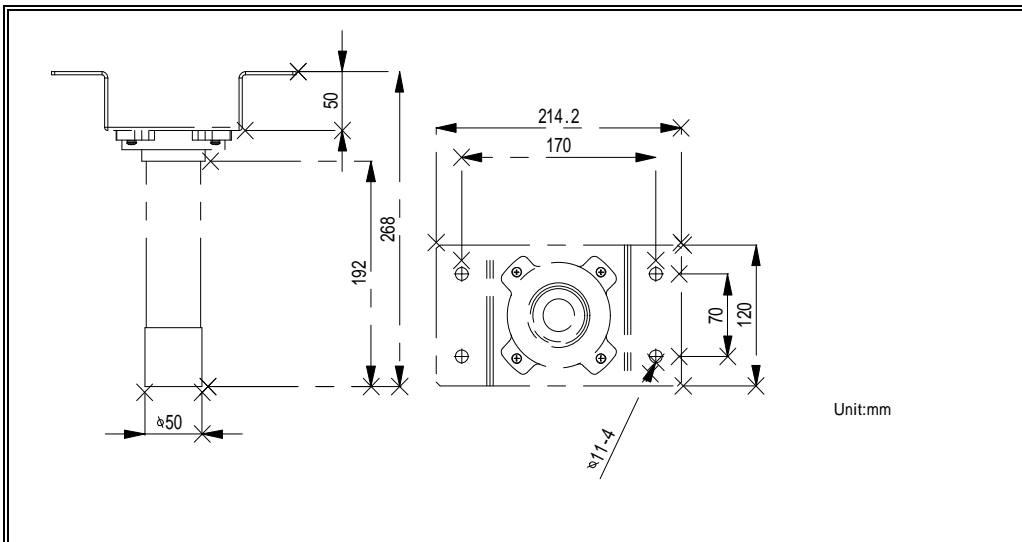
SAD 702 Pendant Pipe Mount



SAD702+SDS700/NIC900 speed domes series

Specification

Features	
• Pendant Pipe Mount	
• Compatible with Messo SDS700 series speed domes: SAD710/SDS711/SDS730/SDS750	
NIC900 series IP speed domes: NIC910/NIC911/NIC930/NIC950	
• Options: SAD709	
Mechanical Specifications	
Construction	Aluminum+Steel
Color	white
Dimensions (WxHxD)	120mm x 268mm x 214mm
Weight (KG)	2.1 kg
Ordering information	
Model	SAD702
Shipping size (WxHxD)	110mm x 240mm x 230mm
Shipping weight	2.2 kg



2007.06.04 version

Secure in Knowledge
www.messoa.com

MESSOA USA e-mail: info.us@messo.com

MESSOA Taiwan e-mail: info@messo.com

MESSOA China e-mail: info.china@messo.com